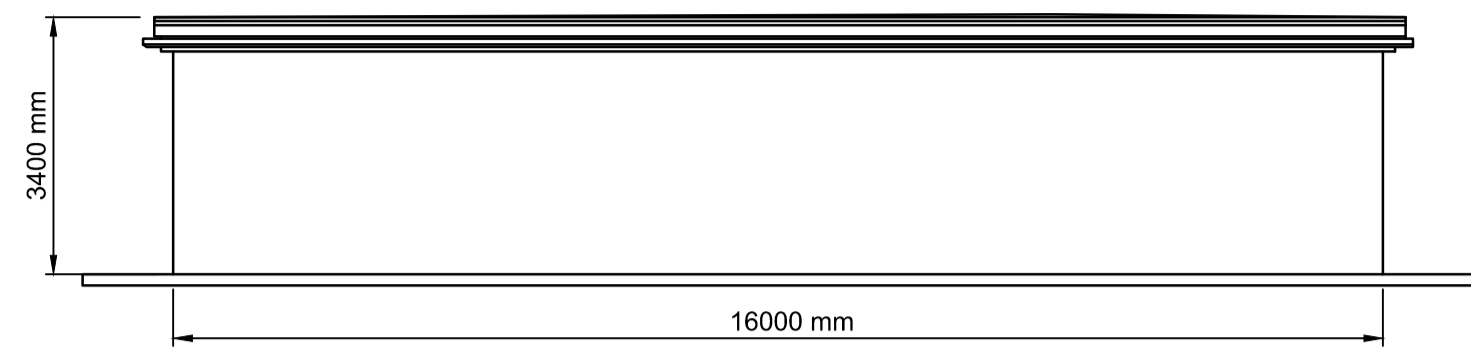
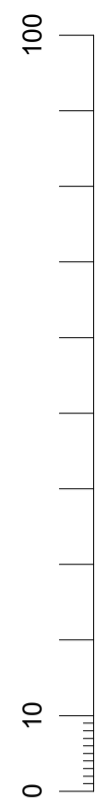
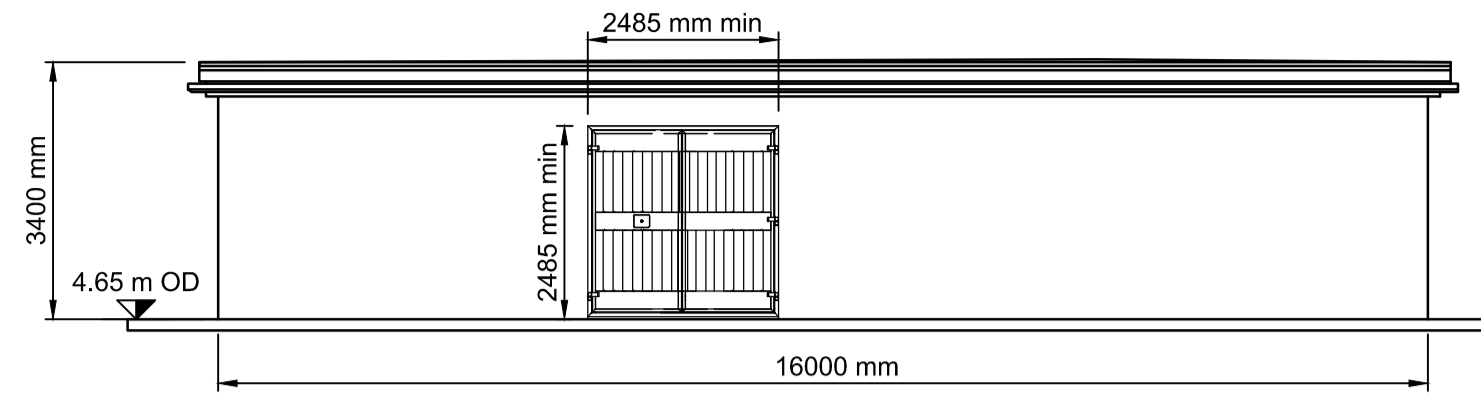


DO NOT SCALE

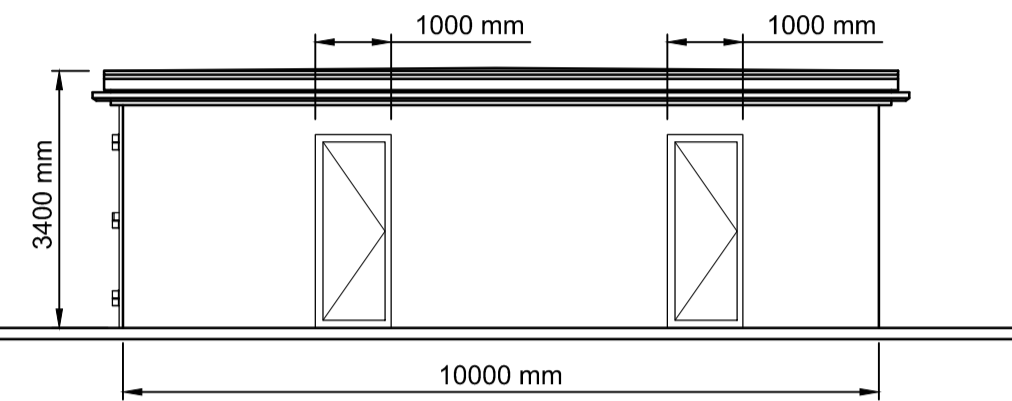
A1



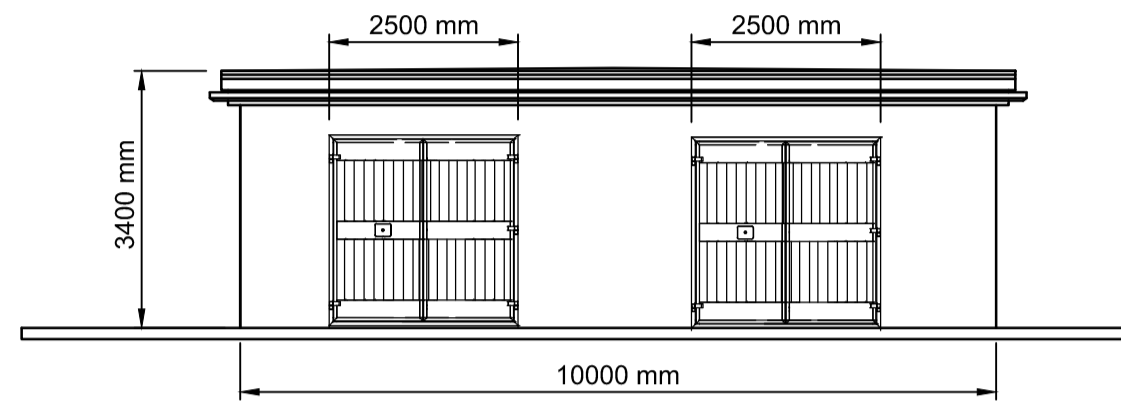
WEST ELEVATION  
SCALE 1:100 @ A1



EAST ELEVATION  
SCALE 1:100 @ A1



NORTH ELEVATION  
SCALE 1:100 @ A1



SOUTH ELEVATION  
SCALE 1:100 @ A1

FINISHES

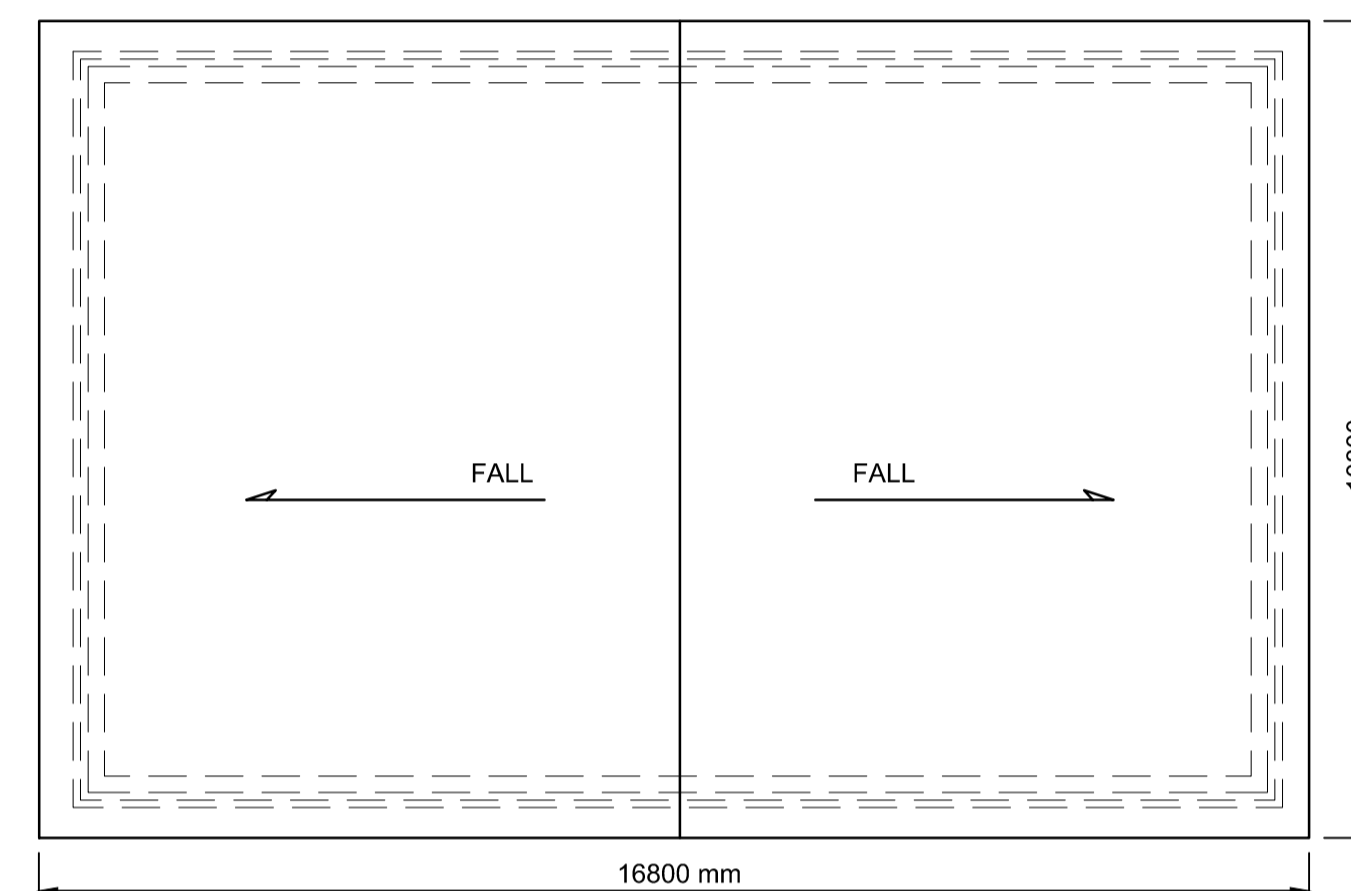
- 1 WALLS - SMOOTH SAND/CEMENT RENDER
- 2 DOORS-GALVANISED STEEL
- 3 ROOF-ASPHALT ON CONCRETE SLAB

GENERAL NOTES

1. ALL DIMENSIONS ARE IN METRES UNLESS NOTED OTHERWISE
2. ONLY WRITTEN DIMENSIONS SHALL BE USED. NO DIMENSIONS SHALL BE SCALED FROM THE DRAWINGS
3. ALL LEVELS ARE IN METRES AND ARE TO ORDNANCE DATUM MALIN UNLESS NOTED OTHERWISE
4. ALL COORDINATES ARE IN METRES AND ARE TO IRISH TRANSVERSE MERCATOR
5. DRAWINGS ARE TO BE READ IN CONJUNCTION WITH THE SPECIFICATION
6. ALL DRAWINGS ARE THE PROPERTY OF ATKINS BYRNELOOBY.
7. [xx.xx m CD] REFER TO LEVELS AT CHART DATUM (DUBLIN PORT)
8. ORDNANCE DATUM MALIN [O.D.M.]



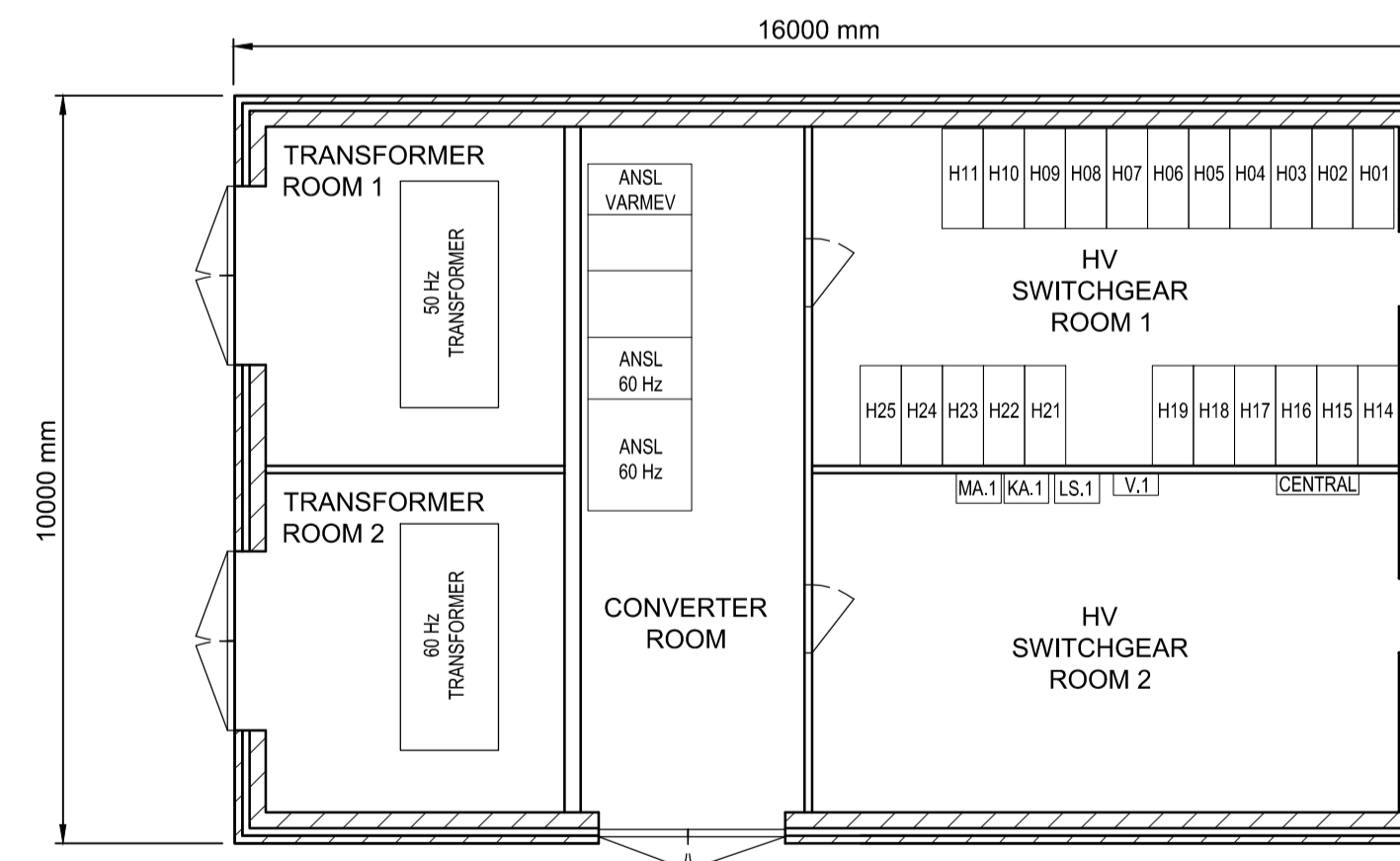
9. OS MAP SHEET NO:  
3198-18, 3198-19, 3198-20, 3198-23, 3198-24, 3198-25,  
3199-16, 3199-17, 3199-18, 3199-21, 3199-23, 3199-24,  
3264-2, 3264-3, 3264-4, 3264-5, 3264-8, 3264-9, 3264-10,  
3264-13, 3264-14, 3264-15, 3265-1, 3265-6, 3265-7, 3265-8,  
3265-9, 3265-11, 3265-12.



ROOF PLAN  
SCALE 1:100 @ A1



LOCATION PLAN  
SCALE 1:10,000 @ A1



FLOOR PLAN  
SCALE 1:100 @ A1

ATKINS PROJECT No. : 5163122  
Ordnance Survey Ireland Licence No. AR0082519  
© Ordnance Survey Ireland/Government of Ireland

File: CP1770-ATK-01-ZZ-M2-CE-0064.dwg  
Date: Jul 05, 2019 - 3:28pm  
Plotted by: ENicMhurchu

Rev	Description	By	Date	Chk'd	Auth
00	ISSUED FOR PLANNING	MOD	07.19	KH	AC

**ATKINS**  
Member of the SNC-Lavalin Group  
**BYRNELOOBY**  
WS Atkins Ireland Ltd. & ByrneLooby Partners Ltd.  
Atkins House,  
150 Airside Business Park,  
Swords, Co. Dublin

Client  
**COMHLACHT CHALAFOR  
ATHA CLIATH  
DUBLIN PORT COMPANY**

Project  
**MP2**

Purpose		PLANNING			
Title		ESB SUBSTATION DETAILS			
Original Scale	Design/Drawn	Checked	Authorised		
As Shown @ A1	AC	KH	KH		
Date	Date	Date	Date		
05.07.19	05.07.19	05.07.19	05.07.19		
Status	Drawing Number	Rev			
DP	CP1770-ATK-01-ZZ-M2-CE-0064	00			